

Factory Pre-Wire



Single Point Connection

A Smart Way to Save

Simplify and save on your next commercial and Industrial evaporative cooler installation job with the PMI Factory Pre-wire service.

Factory Pre-wire includes installation and wiring of the motor, motor sheave, pump, float, control box and junction box. The Control box is ready for the 115v line and motor voltage supply, greatly simplifying the installation and reducing time on the job.

Features Include:

- Weather proof NEMA 3R Box
- 3 Phase (or single phase) motor control
- 3 Phase motor protection (Class 10 Overload)
- Disconnects for Motor and Control Voltage.
- Breaker in motor disconnect
- Pump Contactor (12A)
- Terminal Blocks for Connections
- Lighted push button switches for pump and fan.
- Controls are factory wired to the cooler. The switch box is not wired but has terminal block for connections.
- When ordering the Factory Wired SPC with U.L. classified or listed PMI coolers the classification or Listing recognition will be maintained



Installation of e.p.a.c.t. motor



Switch box with push-button control for fan and cool mode



Provision & Installation of 115 V. Receptacles



Installation of 115V. Pump



Installation of Weather proof NEMA 3R Box



Installation of pump J-Box

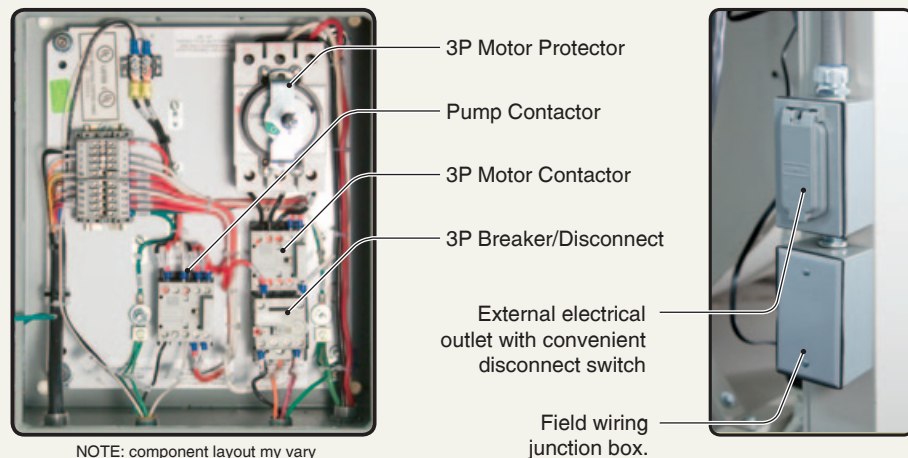
Added Value

When you combine the PMI Aerocool 8" and 12" series with the Single Point Connection factory pre-wire service, the Wet Section ships assembled to the blower unit for added value.

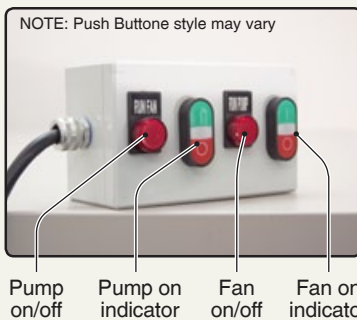
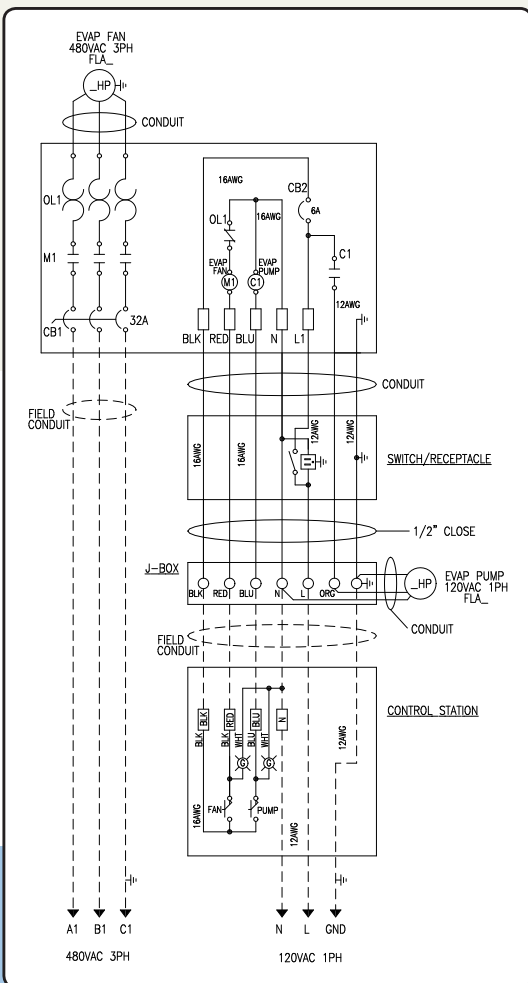


Overview

- The single point Connection requires a supply line for the specific motor voltage AND 115V single phase for the pump.
- Factory wired connections include the motor power distribution panel, the control power distribution panel (115V GFIC'd), the switch box and the control box.



NOTE: component layout may vary



Single Point Connection Accessory			
Model #	H.P.	Voltage	Phase
SPC12-161	3/4	115	1
SPC12-165	1	115	1
SPC12-169	1.5	115	1
SPC12-172	2	115	1
<hr/>			
SPC24-161	3/4	208-230	1
SPC24-165	1	208-230	1
SPC24-169	1.5	208-230	1
SPC24-172	2	208-230	1
<hr/>			
SPC24-163	3/4	208-230	3
SPC24-166	1	208-230	3
SPC24-167	1	208-230	3
SPC24-170	1.5	208-230	3
SPC24-171	1.5	208-230	3
SPC24-173	2	208-230	3
SPC24-174	2	208-230	3
SPC24-176	3	230	3
SPC24-177	3	208-230	3
SPC24-178	5	208-230	3
SPC24-179	5	208-230	3
SPC24-183	7.5	230	3
SPC24-163	10	208-230	3
<hr/>			
SPC48-163	3/4	460	3
SPC48-166	1	460	3
SPC48-170	1.5	460	3
SPC48-173	2	460	3
SPC48-176	3	460	3
SPC48-178	5	460	3
SPC48-182	7.5	460	3
SPC48-183	10	460	3

Order process will be to order the Cooler, Motor, Motor Sheave, 115V. Pump, Float and the SPC model accessory.

SPC24-176

Motor

The PMI Motor part Number it is matched to.

SPC Kit Voltage

12 = 120 volt motor - single phase
 24 = 240 volt motor - single or 3 phase
 48 = 460 volt motors - 3 phase only

Single Point Connection



Phoenix Manufacturing Inc.
 3655 East Roeser Road
 Phoenix, Arizona 85040
 Phone: 602-437-1034
 Fax: 602-437-4833
 www.evapcool.com