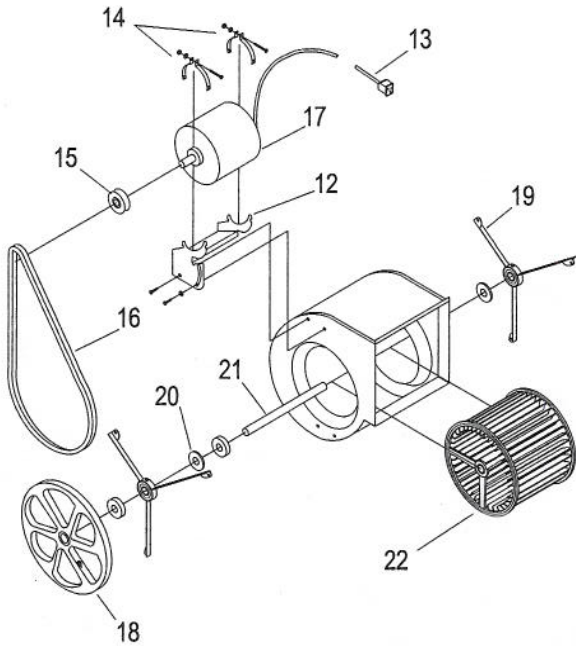


Cool Tool Replacement Parts



Item	Replacement Part	
1	Cabinet	----
2	Blower Assy. Complete	5-3-111
3	Pad Frame Complete	5-2-124
3a	Pad Retaining Wire	3-2-173
3b	Aspen Pad (pkg. 2)	5-2-219
4	Grille Assembly	5-4-26
5	Switch assembly	5-7-109
6	Duct Extension	5-4-27
7	Float valve	5-6-1
8	Stand Pipe Kit	5-6-5
9	Water distributor Assy.	5-6-204
10	Pump w. pump basket	5-6-34
11	Bleed off Tee & Hose	5-6-3
12	Motor Mount	5-3-112
13	Male Motor Cord	5-7-37
14	Motor Mounting Straps	5-7-28
15	Motor Sheave	5-3-31
16	Blower Belt	5-3-114
17	Bare Motor	5-7-42
18	Blower Pulley	5-3-59
19	Bearing Assy. (2 per pkg.)	5-3-38
20	Leather Washers	5-3-8
21	Shaft	5-3-1
22	Blower Wheel	5-3-113
23	Garden Hose Adaptor *	GHA
24	Leg Set	5-1-80
25	Caster set *	5-1-81

* Not Shown

